

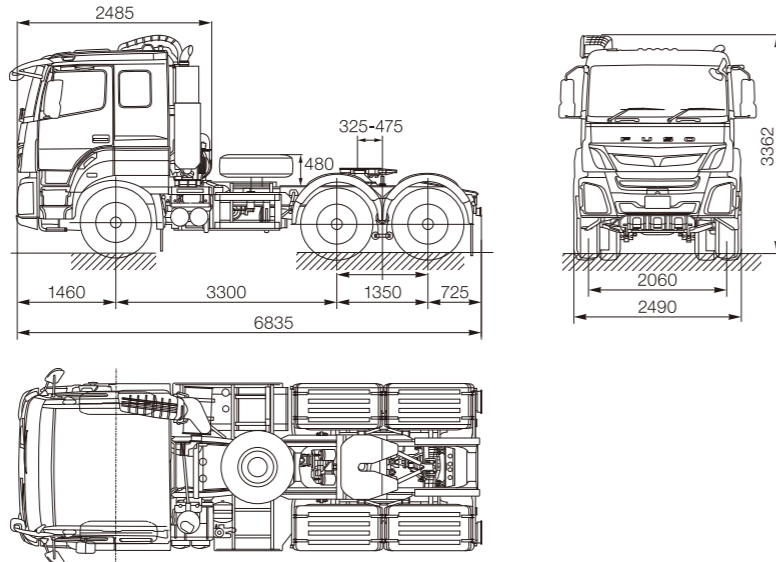
TV Tractor 6x4 SPECIFICATIONS

Model	TVY2SJR2R	
Crew	3 (1+2)	
DIMENSIONS mm		
Wheelbase	4,650 (3,300+1,350)	
Overall length	6,835	
Overall width	2,490	
Overall height	3,362	
Tread	front	2,060
	rear	1,804
WEIGHTS kg		
Kerb weight *	9,940	
Max. GVW	33,500	
Max. GCW	49,000 (Max. Technical GCW 65,000)	
CALCULATED PERFORMANCE		
Max. speed	90	
Max. gradeability	40.2 (Running)	
ENGINE		
Model	OM457 LA-E3, 11.970-liter	
Type	4-stroke cycle, water cooled direct injection, turbocharged diesel engine	
Max. output	295kW/1,900rpm	
Max. torque	2,000Nm/1,100rpm	
Alternator	28V/100A	
DRIVE LINE		
Clutch	Twin disc dry plate diaphragm type pneumatic operated with automatic control	
Transmission	G330-12K, Electronic-automated unsynchronized transmission	
gear ratios	Slow 11.639-7.035-4.4-2.645-1.599-1.0 1st Rev. 12.774 2nd Rev. 3.724 Fast 9.02-5.452-3.41-2.051-1.239-0.775 1st Rev. 9.9 2nd Rev. 2.903	
Final reduction gear	Full floating, Hypoid gears	
ratio	4.55	
CHASSIS		
Axle Capacity kg	front	7,500
	rear (1st+2nd)	26,000
Tire	front	Single, 315R22.5 (tubeless)
	rear	Dual, 315R22.5 (tubeless)
Suspension	Front: parabolic springs with shock absorbers and stabilizer Rear: multi leafspring bogie with shock absorbers	
Brake	service	Full air, S-cam, dual circuit
	parking	Pneumatically operated spring brake actuator acting on rear axle
	exhaust and engine	Standard
Fuel tank capacity	455L	
Electrical system - batteries	2x12V, 165Ah	
FIFTH WHEEL COUPLING mm		
Height	2" (king pin size)	
Optimum king pin offset	325	

COLOR VARIATION

Standard	<input type="checkbox"/>	Arctic White	<input type="checkbox"/>
----------	--------------------------	--------------	--------------------------

DRAWINGS (TVY2SJR2R) (mm)



TV



Powerful Pull Drives Success



Relax and Enjoy Superior Driving Comfort



Luxurious cabin

Spacious, air-conditioned, designed in every detail to improve driver productivity. Plenty of room for big, comfortable seats and lots of handy storage space as well. Cruise control standard.

Built Strong to Power Your Business



Dynamic engine

ECU-controlled fuel injection delivers unmatched fuel efficiency. 2-bar boost pressure turbocharger for additional power. 28 CuM air cleaner with cyclone type pre-cleaner ensures longer life.



Durable gearbox

Twin 400 mm discs increase clutch life. 330 Nm peak torque ensures outstanding performance on grades. Higher 152 mm distance between main and counter shafts increases maneuverability when carrying heavy loads.



Robust axles

Ready for the roughest roads. Thick teeth on the heavy-duty crown wheel increases contact area, while the differential increases torque. The air brake chamber is positioned high to increase clearance.



Muscular chassis

Powder coated and shot blasted to enhance corrosion resistance. Optimized cross members with long, thick bulges improve load-bearing and bending capability while further increasing durability.



Extraordinary suspension

192 mm stack-height suspension has wider, thicker, longer leaves for increased durability and riding comfort. Pin-type swelling arm and multi-leaf design ensure easy serviceability.



Smoother drives

Combining a steering-mounted paddle gear shift with power-shift transmission makes driving easy and stress-free under all road and traffic conditions.

Actual vehicle may differ slightly from pictures shown